



Pole Docks

Designer Series



*Dock Designs As Unique
As Your Waterfront*

20

All Canadian
Decking Options



www.Kawarthadocks.com

Pole Docks

Designer Series

Handcrafted in Muskoka using high-quality Canadian materials, our Designer Series Pole Docks feature marine-grade aluminum framing and stainless steel fasteners for a rust-free, durable design. Ideal for shallow water, they provide security and stability.

Growing family? Our docks can be easily reconfigured and expanded to suit future needs. Custom sizes and flexible designs allow for additional adaptability, and frames include decking support stringers every 16" for compatibility with various decking options. Exclusive deck panel clips secure the decking, providing peace of mind in rough conditions. 8' & 10' wide docks include center leg holders and frame support.



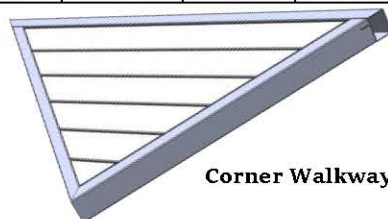
All Pole Docks Include:

- ✓ Frame & Decking (If Purchased)
- ✓ Foot Pads & Pole Caps
- ✓ Connecting Fasteners
- ✓ 10 Year Welded Frame Warranty



20 All Canadian Decking Options

Size		Dock				Ramp			
		Micro Pro PT	Western Red Cedar	Clubhouse PVC	Clubhouse PVC+	Micro Pro PT	Western Red Cedar	Clubhouse PVC	Clubhouse PVC+
W	L								
4'	10'	1,625 PD0410-PT	1,900 PD0410-WR	2,150 PD0410-PV	2,450 PD0410-GL	\$1,500 PR0410-PT	\$1,775 PR0410-WR	\$2,025 PR0410-PV	\$2,325 PR0410-GL
	15'	2,425 PD0415-PT	2,850 PD0415-WR	3,200 PD0415-PV	3,625 PD0415-GL	\$2,475 PR0415-PT	\$2,900 PR0415-WR	\$3,250 PR0415-PV	\$3,675 PR0415-GL
	20'	3,075 PD0420-PT	3,650 PD0420-WR	4,150 PD0420-PV	4,725 PD0420-GL	\$3,225 PR0420-PT	\$3,800 PR0420-WR	\$4,300 PR0420-PV	\$4,875 PR0420-GL
	10'	2,100 PD0610-PT	2,525 PD0610-WR	2,900 PD0610-PV	3,350 PD0610-GL	\$1,975 PR0610-PT	\$2,400 PR0610-WR	\$2,775 PR0610-PV	\$3,225 PR0610-GL
	15'	3,050 PD0615-PT	3,700 PD0615-WR	4,275 PD0615-PV	4,925 PD0615-GL	\$3,075 PR0615-PT	\$3,725 PR0615-WR	\$4,300 PR0615-PV	\$4,950 PR0615-GL
	20'	3,900 PD0620-PT	4,800 PD0620-WR	5,600 PD0620-PV	6,500 PD0620-GL	\$4,050 PR0620-PT	\$4,950 PR0620-WR	\$5,750 PR0620-PV	\$6,650 PR0620-GL
6'	10'	3,125 PD0810-PT	3,675 PD0810-WR	4,175 PD0810-PV	4,750 PD0810-GL	\$3,000 PR0810-PT	\$3,550 PR0810-WR	\$4,050 PR0810-PV	\$4,625 PR0810-GL
	15'	4,575 PD0815-PT	5,450 PD0815-WR	6,200 PD0815-PV	7,050 PD0815-GL	\$4,075 PR0815-PT	\$4,950 PR0815-WR	\$5,700 PR0815-PV	\$6,550 PR0815-GL
	20'	5,850 PD0820-PT	7,000 PD0820-WR	8,000 PD0820-PV	9,150 PD0820-GL	\$5,350 PR0820-PT	\$6,500 PR0820-WR	\$7,550 PR0820-PV	\$8,700 PR0820-GL
	10'	3,925 PD1010-PT	4,650 PD1010-WR	5,300 PD1010-PV	6,000 PD1010-GL	\$3,650 PR1010-PT	\$4,400 PR1010-WR	\$5,050 PR1010-PV	\$5,750 PR1010-GL
	15'	5,550 PD1015-PT	6,650 PD1015-WR	7,600 PD1015-PV	8,700 PD1015-GL	\$5,100 PR1015-PT	\$6,150 PR1015-WR	\$7,150 PR1015-PV	\$8,200 PR1015-GL
	20'	7,000 PD1020-PT	8,500 PD1020-WR	9,800 PD1020-PV	11,300 PD1020-GL	\$6,600 PR1020-PT	\$8,100 PR1020-WR	\$9,400 PR1020-PV	\$10,900 PR1020-GL
Corner Walkway	3'	720 DS0003-PT	770 DS0003-WR	790 DS0003-PV	840 DS0003-GL				
	4'	830 DS0004-PT	900 DS0004-WR	925 DS0004-PV	975 DS0004-GL				
	5'	940 DS0005-PT	1,025 DS0005-WR	1,050 DS0005-PV	1,125 DS0005-GL				



Corner Walkway



Pole Docks

Designer Series

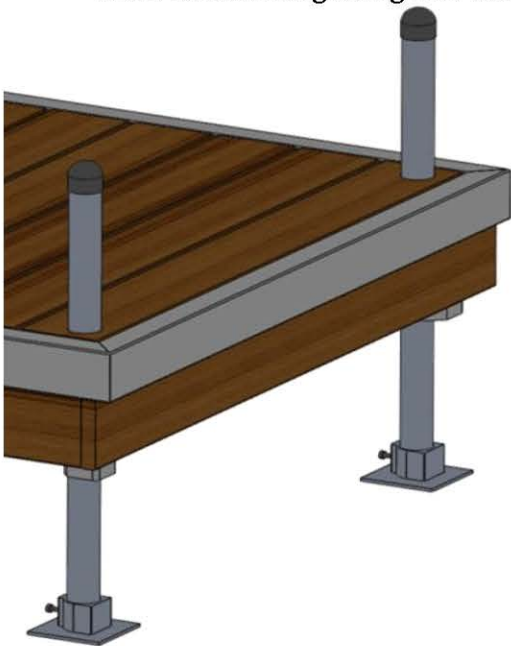


Pole Dock Options

HD Anchor Package For Pole Dock	Kit contains 175lb anchor, 2 cables, turnbuckles & fastening hardware	\$ 330.00			
		DS9060			
Accessory Reinforcement	HD aluminum bracket welded below decking to reinforce cleats & mooring whips	\$ 75.00	\$ 70.00		
		Cleat AH0040	Whip AH0041		
Extra Leg Holder	Add leg holders where needed to complete your design. 2 are typically needed at the start of a system. Also used to create "L" shapes	\$ 70.00	\$ 90.00		
		Standard AH0075	Hidden AH0070		
Hidden Leg Upgrade	Dock Legs stay hidden below your decking for a clean appearance. Pole adjustment is limited to 8"	\$ 43.00	\$ 75.00		
		10' DS90/0-10	15' & 20' DS90/0-15		
Soft Bottom Solution	Sinking past your ankles? Use Large Feet Sinking to your shins? Use Patio Stones	\$ 35.25	\$ 18.50		
		Large Foot AH0090	Patio Stone OH0015		
Skirting (/ft)	Deck board running below dock frame adds an attractive natural finish and hides the gap between the dock and water	\$ 7.30	\$ 9.25	\$ 14.25	\$ 16.25
		PT DS9025-PT	Cedar DS9025-WR	PVC DS9025-PV	PVC+ DS9025-GL
Anti-Sway Bar	Telescopic bar runs diagonally between two legs. Optional on 6' legs & recommended with 8' legs	\$ 100.00	\$ 110.00	\$ 125.00	\$ 145.00
		4' AH0010-04	6' AH0010-06	8' AH0010-08	10' AH0010-10
Aluminum Pole	1-1/2" Sched 40 marine grade aluminum pole. Anti-sway bars recommended where 8' poles are used	\$ 40.00	\$ 60.00	\$ 80.00	\$ 230.00
		4' AH0005-04	6' AH0005-06	8' AH0005-08	24' AH0005-24

Standard Leg Design

- ✓ Legs raised above decking can be used to tie up your boat
- ✓ Great for fluctuating water levels allowing you to raise & lower your dock the full height of the dock legs
- ✓ Can act as a support handle for people needing extra assistance getting in & out of boats



Why Choose Hidden Leg Upgrade:

- ✓ Poles hidden below decking is a cleaner look and more aesthetically pleasing
- ✓ Hidden leg eliminates unwanted hazard of dock legs protruding through decking
- ✓ Dock legs remain hidden under decking allowing more useable surface area
- ✓ Choose when dock height will not need to be adjusted more than 8"



Pole Docks Designer Series

Contact Us
Kawartha Docks
Woodview ON
(705) 931-1497
jeff@kawarthadocks.com

Heavy Slant P Bumper

 \$ 70.00
 10'4" Length
 BU5124-##
 WH BL

Large Corner Bumper


 \$45.00
 BU0065-##
 BE WH BL GY

Heavy Outside Corner

 \$41.00
 BU0060-##
 WH BL GY


6" Flip Up Cleat

 \$ 25.00
 CL0601-##
 WH BL GY
 Install 6" Cleat LB2006 \$ 15.75
 Hardware Only SS9006-CB 9.5

Bumper Installation

 Factory Install Bumper LB2010 \$26
 Factory Install Corner LB2015 \$11
 Bumper Screws (100pk) SS0822-SC \$25

Premium Solar Light

 \$65.00
 SL0000-WH

Hand Rail - Aluminum


10'	DS9055-10	\$ 630
15'	DS9055-15	840
20'	DS9055-20	1,225

NEW! Solar Dock Lite [Black]

 \$40.00
 SL0050-WH



Premium Mooring Whips

	Capacity	Size
8'	2,500 lbs	\$ 420 WH0250
12'	5,000 lbs	620 WH0500
14'	10,000 lbs	720 WH1000
Wake Watcher	3,500 lbs	680 WH0350
Install Whips		42 LB2025



Wake Watcher™

Solar Post Lite (2pk)

 \$105.00
 SL0025-WH

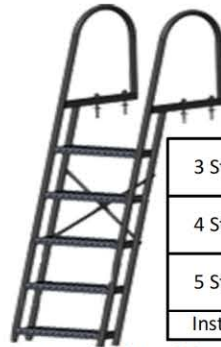


Water Entry Staircase

	Height	Grey
3 Step	24"-36"	\$ 990 LA5003
4 Step	30"-42"	1,125 LA5004
5 Step	36"-48"	1,250 LA5005
6 Step	42"-54"	1,375 LA5006
7 Step	48"-60"	1,500 LA5007
8 Step	54"-66"	1,625 LA5008

Measurements

Inside Width	27.5"
Outside Width	31.5"
Railing Height	32"
Step Rise	7.5"



Angled Ladder

	Black	White	Grey	Measurements
3 Step	\$ 550 LA0103-BL	\$ 550 LA0103-WH	\$ 530 LA0103-GY	ID 18"
	630 LA0104-BL	630 LA0104-WH	590 LA0104-GY	OD 20.5"
4 Step	700 LA0105-BL	700 LA0105-WH	660 LA0105-GY	Step Height 11"
	Install Ladder LB2020 32			3 Step 33"
5 Step				4 Step 44"
				5 Step 55"
				Angle 15°

